



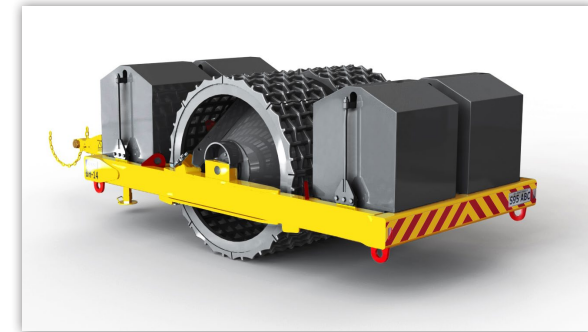
Grid Roller

# Grid Roller

Grid Rollers are ideal for the crushing and compaction of small rocks for road construction and haul road maintenance. With a compaction width of 1.8 metres, the Broons Grid Roller comes standard with a huge 14 tonne capacity, able to both crush and compact in one single pass. The backbone of gravel road and mining road management, they are the heavy hitters of the fleet. Broons reputation for high quality manufacturing means your roller will withstand the toughest of working environments.

Innovation is also at the heart of the Broons Grid Roller, with our unique fillable ballast bins. Reducing freight costs when emptied, and also allow for more flexibility of weight placement. OH&S is of the utmost importance to crews working with heavy machinery, and Broons are proud of our exclusive hydraulically controlled offset drawbar. Simply controlled from the cabin, it allows for offset crushing and compaction often associated with shoulder and verge construction.

Built to Broons' world leading design and quality with a *10 Year Structural Warranty*.



Type	Tare weight (kg)	Max Ballast weight (kg)	Number of grid rings	Static linear load per cm (kg)	Compaction width grid rings (mm)	Length (mm)	Width (mm)	Height (mm)
<b>Grid Ring roller</b>	7,000	14,000	2	88	1800	5700	2210	1780

\* Specifications subject to change without notice



Ph (08) 8268 1988

[info@broons.com](mailto:info@broons.com)

[www.broons.com](http://www.broons.com)